

High Bay IP65 Gen1



Product information

The TUNGSRAM Round High Bay Gen1 range has a massive industrial aesthetic that makes it suitable for applications in facility that has high ceilings and requires illumination of 6 meter or more. Designed as a simple point-to-point replacement for conventional high-bay luminaires with 250 and 400 W mercury vapor or metal halide lamps. The 4-5x longer lifetime vs HID lamps provides significant reduction in maintenance costs without usage of mercury and other hazardous materials. The Round High Bay Gen1 range offers all the benefits of LED lighting to the customers – fresh light quality, longer service lifetime, reduced energy consumption and less maintenance.

Featuring highly efficient Samsung LEDs and a Moso driver, that along with the rest of the high quality items provide a 135lm/W efficiency. Its light flow can be dimmed from 0-10V or DALI, allowing us to adjust the brightness of the light emitted, in function with the needs of each moment.

Application areas



Warehouses
Industry
Logistic



Supermarket
Commercial building

Features

- Luminous efficacy: up to 135 lm/W
- 50 000 hours lifetime (L70/B50)
- 2 color temperatures: 4000 and 6500K with SDCM <6
- Wide beam angle of 110 degree
- Type of protection: IP65
- Type of resistance: IK08
- Suitable for operation in ambient temperature of -20°C to +50°C for standard
- Nominal Voltage: 220-240V or 110-240V for selected types
- Operating frequency: 50/60Hz
- Surge protection: 4KV line-line, 6KV line-earth
- Multiple protection: SCP, OVP, OTP
- IP68 quick connector for input
- PF >0,9
- Available with beam angle: 110° optic as default, 70°/ 90° with aluminium reflectors
- IEC classification: Class I

Benefits

- High luminous efficacy
- The luminaire can be installed on the existing grid
- Electrical connection is straightforward: there is no need to open the luminaire for installation or servicing
- Optimized weight and size due to compact design
- Energy saving is up to 70 % compared to conventional high bay luminaires
- Uniform light
- Excellent performance and light quality - Consistent color rendering (CRI = 80) in compliance with EN-12464-1
- High resistance against ambient air with humidity and high particle loads
- Simple refurbishment solution thanks to use of existing installation points with freely positionable mounting clips
- Fast and simple installation due to quick connector design
- Samsung LED chip
- Aluminium body for optimize heat performance
- Easy mounting for suspension and surface/ sealing

Product Details

Housing: durable aluminum with powder coated, post-painted black finishing

Optic: polycarbonate

Reflectors: aluminium



Specification summary

Product code	Product code (Direct Shipment)	Description	Wattage (W)	Lumen (lm)	Rated efficacy [lm/W]	CCT (K)	CRI	Weight (kg)	EEC	Controllability	Cert.
93103286	93103767	High Bay TU Gen1 75W 4000K 2A 110°	75	10,125	135	4000K	>80	2.43	A++	0-10V	CE
N/A	93117182	High Bay TU Gen1 110W 4000K 1A 110°	110	14,850	135	4000K	>80	2.43	A++	0-10V	CE
N/A	93117183	High Bay TU Gen1 110W 6500K 1A 110°	110	14,850	135	6500K	>80	2.43	A++	0-10V	CE
N/A	93117184	High Bay TU Gen1 150W 4000K 1A 110°	150	20,250	135	4000K	>80	2.50	A++	0-10V	CE
N/A	93117185	High Bay TU Gen1 150W 6500K 1A 110°	150	20,250	135	6500K	>80	2.50	A++	0-10V	CE
93101703	93103765	High Bay TU Gen1 200W 4000K 2A 110°	200	27,000	135	4000K	>80	3.04	A++	0-10V	CE
93103290	93103771	High Bay TU Gen1 200W 6500K 2A 110°	200	27,000	135	6500K	>80	3.04	A++	0-10V	CE
93101702	93103764	High Bay TU Gen1 150W 4000K 2D 110°	150	20,250	135	4000K	>80	2.7	A++	Dali	CE
93101704	93103766	High Bay TU Gen1 200W 4000K 2D 110°	200	27,000	135	4000K	>80	4.1	A++	Dali	CE
93115795	93115801	High Bay TU Gen1 70W 4000K 2A 110°	70	10,150	145	4000K	>80	2.6	A++	1-10V	CE
93115796	93115802	High Bay TU Gen1 70W 6500K 2A 110°	70	10,150	145	6500K	>80	2.6	A++	1-10V	CE
93115793	93115799	High Bay TU Gen1 105W 4000K 2A 110°	105	15,225	145	4000K	>80	2.65	A++	1-10V	CE
93115797	93115803	High Bay TU Gen1 105W 6500K 2A 110°	105	15,225	145	6500K	>80	2.65	A++	1-10V	CE
93115794	93115800	High Bay TU Gen1 140W 4000K 2A 110°	140	20,300	145	4000K	>80	2.75	A++	1-10V	CE
93115798	93115804	High Bay TU Gen1 140W 6500K 2A 110°	140	20,300	145	6500K	>80	2.75	A++	1-10V	CE

Adjustable accessories*

93105659	TBD	High Bay Reflector 90°
93105660	TBD	High Bay Reflector 70°
93111515	TBD	High Bay Reflector 90° 200W
93112596	TBD	High Bay Reflector 70° 200W
93105658	TBD	High Bay Chain
93105661	TBD	High Bay Surface mount Kit

* accessories to be ordered separately

Order logic

Internal Code	Generation	System Wattage (W)	CCT (K)	Voltage (V)	Controller	Beam angle (°)	Shipment
High Bay TU	G1 - Generation 1	70W, 75W 105W, 110W 140W, 150W 200W	4000K 6500K	1 - 110-240V 2 - 220-240V	A - 0-10V Dimming D - Dali	110°	DS - Direct Shipment

Example: High Bay TU Gen1 150W 4000K 2A 110°

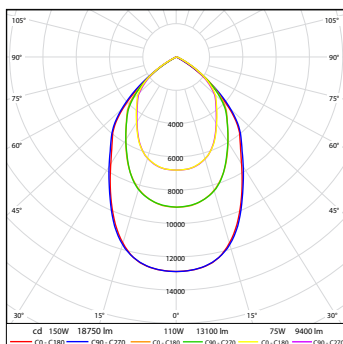
150W 4000K IP65 Round High Bay with 0-10V dimming and 110degree beam angle optic

Accessories

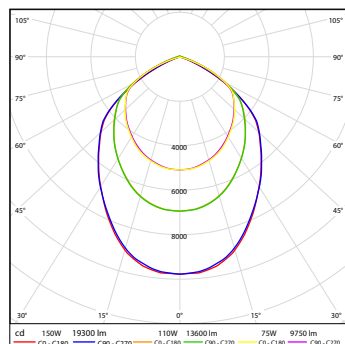


ID	Product code	Luminaire name	Weight [kg]	Size
1	93105660	High Bay Reflector 70°	0.46	Ø454x150mm
2	93105659	High Bay Reflector 90°	0.28	Ø396x80mm
3	93105661	High Bay Surface mount Kit	1.42	206x198x100
4	93105658	High Bay Chain	0.28	1meter

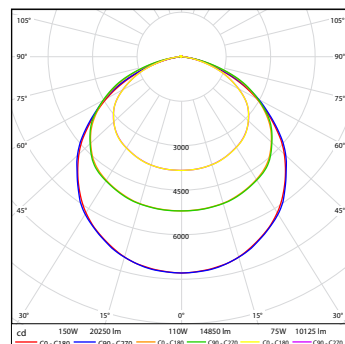
Photometric data



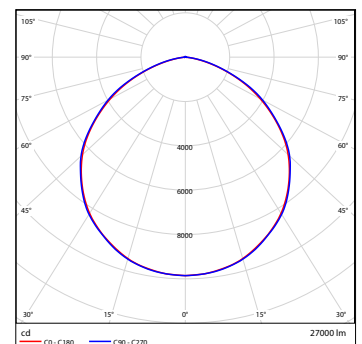
75-110-150W - 70°



75-110-150W - 90°



75-110-150W - 110°



200W - 110°

Photometry is based on LM79

Regulatory and standards

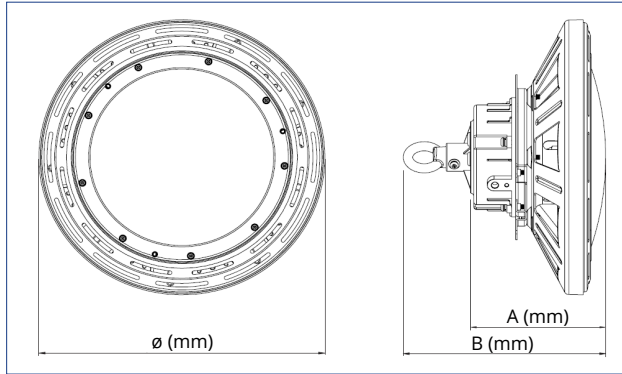
Regulatory mark: CE

Regulations: 2014/35/EU, 2014/30/EU, 2011/65/EU, (framework 2009/125/EC) EU/1194/2012 amended by EU 2015/1428, (framework 2010/30/EC) 874/2012 and 518/2014*, 2012/19/EU*

Harmonised standards: EN 60598, EN 62493, EN 61547, EN55015, EN 61000, refer to CE Declaration of Conformity and Technical File for details

*not on DOC

Dimensions



Product	Wattage	ø (mm)	A (mm)	B (mm)
High Bay TU Gen1 75W	75w	300	142	213
High Bay TU Gen1 110W	110w	300	142	213
High Bay TU Gen1 150W	150w	300	131	202
High Bay TU Gen1 200W	200w	360	131	202