



## Bari DL LED



Modern and universal downlight luminaire of high lighting performance, based on LED module. Application: offices, hotels, restaurants, halls, shopping malls.

**Materials:** Powder painted, white aluminum body; polished and faceted aluminium reflector with a mirror finish

**Installation:** Into plaster cardboard and modular ceilings

**Power:** 230 V

### ELECTRICAL DATA

Light source	LED
Number of light sources	1
Voltage rating	220 ... 240 V
Light source included	Yes

### MECHANICAL DATA

Type of installation	Recessed
Housing material	Die cast aluminum

### INFORMATION

Colour	White
Operating temperature range	0 ... 35 °C

### CERTIFICATES

Class of protection	I
Energy class	A++
CE	Yes
EAC	Yes

### LIGHT DATA

Light colour	White
Color rendering index	84
Light distribution	DI
Class of luminaire	I
Light output degradation	B10
Lumen maintenance	L90
Lifetime	> 60000 h
MacAdam	SDCM 3
Lamp Lumen Maintenance Factor (after 60 000h)	91 %

### OPTICAL DATA

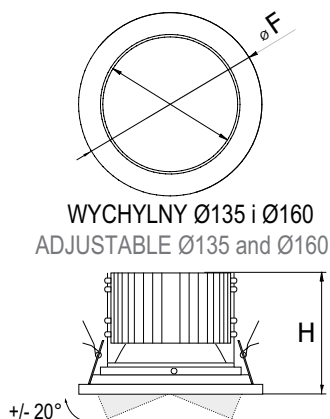
Diffuser material	Transparent glass
Reflector	High gloss

### AVAILABLE VARIANTS

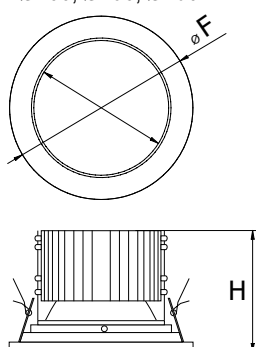
Product code	Luminaire power [W]	Luminaire luminous flux [lm]	Luminaire's luminous efficacy [lm/W]	Beam angle [°]	Colour temperature	Info	Degree of protection (IP)	Weight [kg]
PX4089401 DF001.1166.830.A000	15	1610	107	55	3000K	Adjustable	IP20	1.00
PX4089429 DF001.1166.840.A000	15	1660	111	55	4000K	Adjustable	IP20	1.00
PX4089408 DF002.1166.830.A000	21	2220	106	55	3000K	Adjustable	IP20	1.00
PX4089436 DF002.1166.840.A000	21	2290	109	55	4000K	Adjustable	IP20	1.00
PX4089415 DF003.1166.830.A000	15	1530	102	45	3000K	Adjustable	IP20	1.20

## AVAILABLE VARIANTS

Product code	Luminaire power [W]	Luminaire luminous flux [lm]	Luminaire's luminous efficacy [lm/W]	Beam angle [°]	Colour temperature	Info	Degree of protection (IP)	Weight [kg]
PX4089443 DF003.1166.840.A000	15	1580	105	45	4000K	Adjustable	IP20	1.20
PX4089422 DF004.1166.830.A000	21	2110	100	45	3000K	Adjustable	IP20	1.20
PX4089450 DF004.1166.840.A000	21	2180	104	45	4000K	Adjustable	IP20	1.20
PX4089457 DG001.1166.830.A000	15	1670	111	45	3000K	-	IP44	1.00
PX4089471 DG001.1166.840.A000	15	1720	115	45	4000K	-	IP44	1.00
PX4089464 DG002.1166.830.A000	21	2300	110	45	3000K	-	IP44	1.00
PX4089478 DG002.1166.840.A000	21	2370	113	45	4000K	-	IP44	1.00
PX4089485 DG003.1166.830.A000	15	1710	114	55	3000K	-	IP44	1.20
PX4089506 DG003.1166.840.A000	15	1760	117	55	4000K	-	IP44	1.20
PX4089492 DG004.1166.830.A000	21	2360	112	55	3000K	-	IP44	1.20
PX4089513 DG004.1166.840.A000	21	2430	116	55	4000K	-	IP44	1.20
PX4089499 DG005.1166.830.A000	29	3170	109	55	3000K	-	IP44	1.20
PX4089520 DG005.1166.840.A000	29	3260	112	55	4000K	-	IP44	1.20
PX4089527 DG006.1166.830.A000	15	1690	113	50	3000K	-	IP44	1.80
PX4089548 DG006.1166.840.A000	15	1740	116	50	4000K	-	IP44	1.80
PX4089534 DG007.1166.830.A000	21	2330	111	50	3000K	-	IP44	1.80
PX4089555 DG007.1166.840.A000	21	2400	114	50	4000K	-	IP44	1.80
PX4089541 DG008.1166.830.A000	29	3130	108	50	3000K	-	IP44	1.80
PX4089562 DG008.1166.840.A000	29	3220	111	50	4000K	-	IP44	1.80



Ø155, Ø195, Ø230

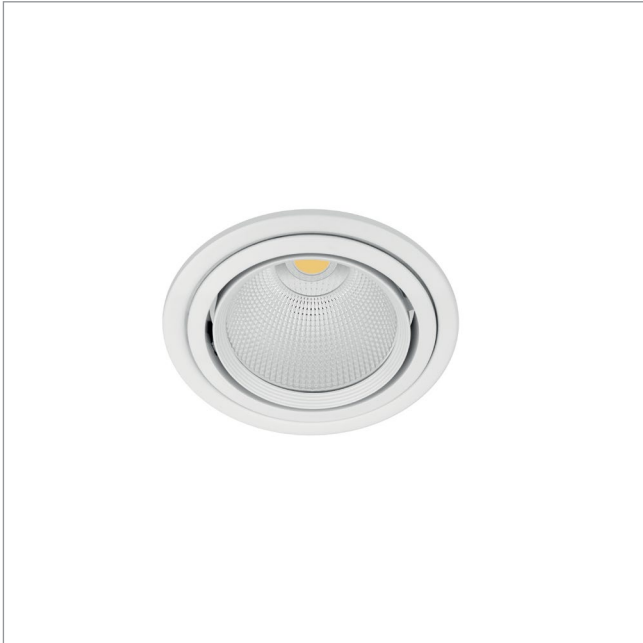


## DIMENSIONS

Product code	H [mm]	F [mm]	G [mm]	D [mm]	E [mm]
PX4089401 DF001.1166.830.A000	110	135	79	118	120
PX4089429 DF001.1166.840.A000	110	135	79	118	120
PX4089408 DF002.1166.830.A000	110	135	79	118	120
PX4089436 DF002.1166.840.A000	110	135	79	118	120
PX4089415 DF003.1166.830.A000	120	160	95	144	130
PX4089443 DF003.1166.840.A000	120	160	95	144	130
PX4089422 DF004.1166.830.A000	120	160	95	144	130
PX4089450 DF004.1166.840.A000	120	160	95	144	130
PX4089457 DG001.1166.830.A000	105	155	113	105	115
PX4089471 DG001.1166.840.A000	105	155	113	105	115
PX4089464 DG002.1166.830.A000	105	155	113	105	115
PX4089478 DG002.1166.840.A000	105	155	113	105	115
PX4089485 DG003.1166.830.A000	110	195	150	175	120
PX4089506 DG003.1166.840.A000	110	195	150	175	120
PX4089492 DG004.1166.830.A000	110	195	150	175	120
PX4089513 DG004.1166.840.A000	110	195	150	175	120
PX4089499 DG005.1166.830.A000	110	195	150	175	120
PX4089520 DG005.1166.840.A000	110	195	150	175	120
PX4089527 DG006.1166.830.A000	110	230	185	212	120
PX4089548 DG006.1166.840.A000	110	230	185	212	120
PX4089534 DG007.1166.830.A000	110	230	185	212	120
PX4089555 DG007.1166.840.A000	110	230	185	212	120
PX4089541 DG008.1166.830.A000	110	230	185	212	120
PX4089562 DG008.1166.840.A000	110	230	185	212	120

H = Height / Depth | F = Outer diameter | G = Inner diameter | D = Installation width | E = Installation depth

BARI DL LED 135 - adjustment version



BARI DL LED 155mm, 195mm, 230mm



BARI DL LED 160mm



