



## Imola LED



LED direct-indirect panel luminaire featuring side opal sections for soft and uniform illumination. High glare control is achieved through special louvers and high-end microprismatic materials. Premium electronics help to maintain high efficacy and lifespan. EN12464-1 compliant. Bespoke adaptations for custom ceiling types (SAS, Armstrong etc.) available on request.

Application: for offices, corridors and open spaces.

**Materials:** Body made of powder painted steel sheet. Direct light distribution: microprismatic diffuser MPRM or parabolic louver PAR (white or metallised). Indirect light distribution: structural OPAL diffusers.

**Installation:** Into modular ceiling 600x600 with a visible supported structure.

**Power:** 230V

### ELECTRICAL DATA

Light source	LED
Type of equipment	AC
Voltage rating	220 ... 240 V
Light source included	Yes
Power factor	0.96

### MECHANICAL DATA

Type of installation	For 600x600 ceiling
Housing material	Steel sheet

### INFORMATION

Colour	White
--------	-------

### CERTIFICATES

Degree of protection (IP)	IP20
Degree of protection (IP) / top/	IP20
Class of protection	I
Light source protection	Yes
Energy class	A+
CE	Yes
EAC	Yes
Power Flicker	= < 3%

### LIGHT DATA

Light colour	White
Color rendering index	80
Light distribution	DI/IN
Class of luminaire	I
Light output degradation	B10
Lumen maintenance	L80
Lifetime	> 72000 h
MacAdam	SDCM 3
Lamp Lumen Maintenance Factor (after 60 000h)	85 %

### OPTICAL DATA

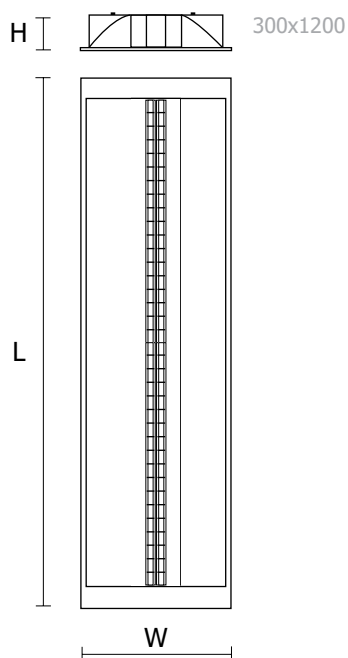
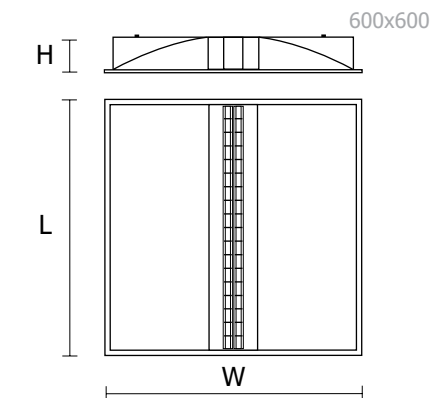
Diffuser material	Opal plastic
-------------------	--------------

### AVAILABLE VARIANTS

Product code	Luminaire power [W]	Louver/shutter	Luminaire luminous flux [lm]	Luminaire's luminous efficacy [lm/W]	Colour temperature	Info	Weight [kg]
PX1310115 CZ001.1145.830.A000	36	PAR	3930	109	3000K	600x600 PAR-white	4.00

## AVAILABE VARIANTS

Product code	Luminaire power [W]	Louwer/shutter	Luminaire luminous flux [lm]	Luminaire's luminous efficacy [lm/W]	Colour temperature	Info	Weight [kg]
PX1310122 CZ001.1145.840.A000	36	PAR	4050	113	4000K	600x600 PAR-white	4.00
PX1310129 CZ001.1144.830.A000	36	PAR	3820	106	3000K	600x600 PAR metallised	4.00
PX1310136 CZ001.1144.840.A000	36	PAR	3940	109	4000K	600x600 PAR-metallised	4.00
PX1310143 CZ001.1123.830.A000	40	MPRM	4220	106	3000K	600x600 MPRM	4.00
PX1310150 CZ001.1123.840.A000	40	MPRM	4350	109	4000K	600x600 MPRM	4.00
PX1310201 CZ002.1145.830.A000	39	PAR	4100	105	3000K	300x1200 PAR-white	5.50
PX1310202 CZ002.1145.840.A000	39	PAR	4230	108	4000K	300x1200 PAR-white	5.50
PX1310203 CZ002.1144.830.A000	39	PAR	3980	102	3000K	300x1200 PAR metallised	5.50
PX1310204 CZ002.1144.840.A000	39	PAR	4100	105	4000K	300x1200 PAR-metallised	5.50
PX1310205 CZ002.1123.830.A000	44	MPRM	4550	103	3000K	300x1200 MPRM	5.50
PX1310206 CZ002.1123.840.A000	44	MPRM	4700	107	4000K	300x1200 MPRM	5.50

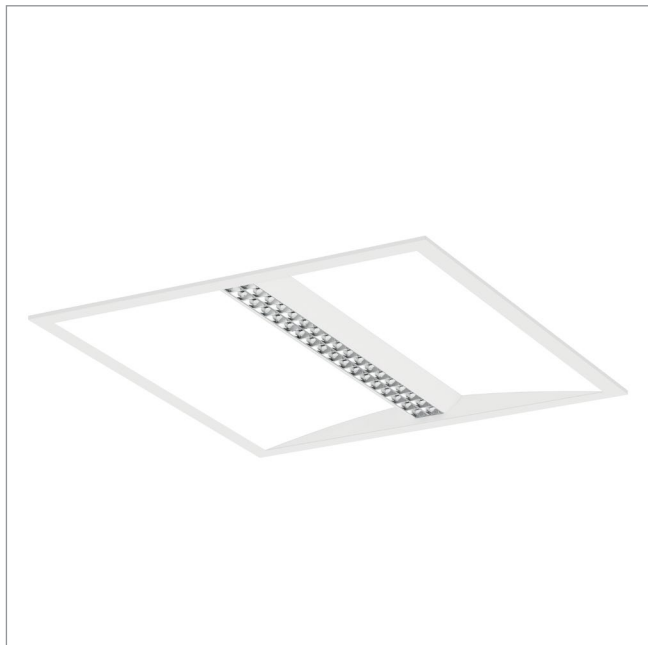


## DIMENSIONS

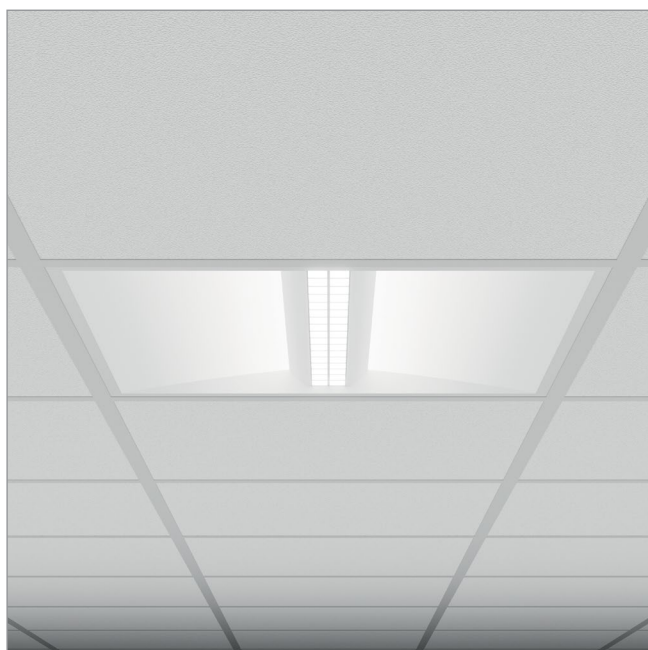
Product code	L [mm]	W [mm]	H [mm]
PX1310115 CZ001.1145.830.A000	595	595	73
PX1310122 CZ001.1145.840.A000	595	595	73
PX1310129 CZ001.1144.830.A000	595	595	73
PX1310136 CZ001.1144.840.A000	595	595	73
PX1310143 CZ001.1123.830.A000	595	595	73
PX1310150 CZ001.1123.840.A000	595	595	73
PX1310201 CZ002.1145.830.A000	1195	295	66
PX1310202 CZ002.1145.840.A000	1195	295	66
PX1310203 CZ002.1144.830.A000	1195	295	66
PX1310204 CZ002.1144.840.A000	1195	295	66
PX1310205 CZ002.1123.830.A000	1195	295	66
PX1310206 CZ002.1123.840.A000	1195	295	66

L = Length | W = Width | H = Height / Depth

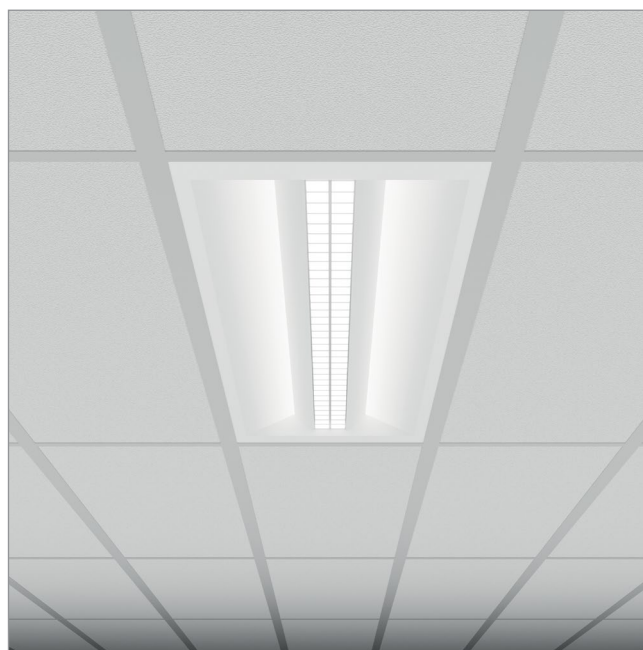
300x1200



600x600 ON



300x1200 ON



MPRM diffuser



Metallised PAR louver



White PAR louver

